

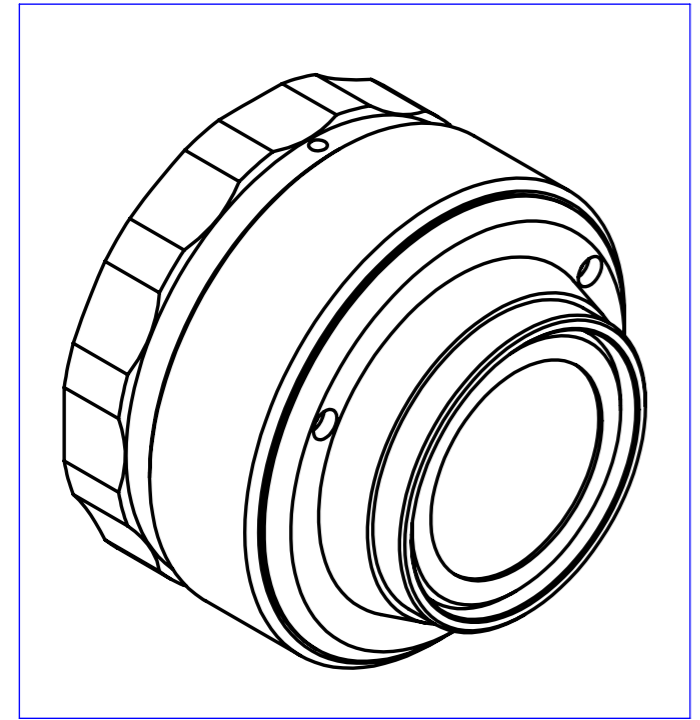
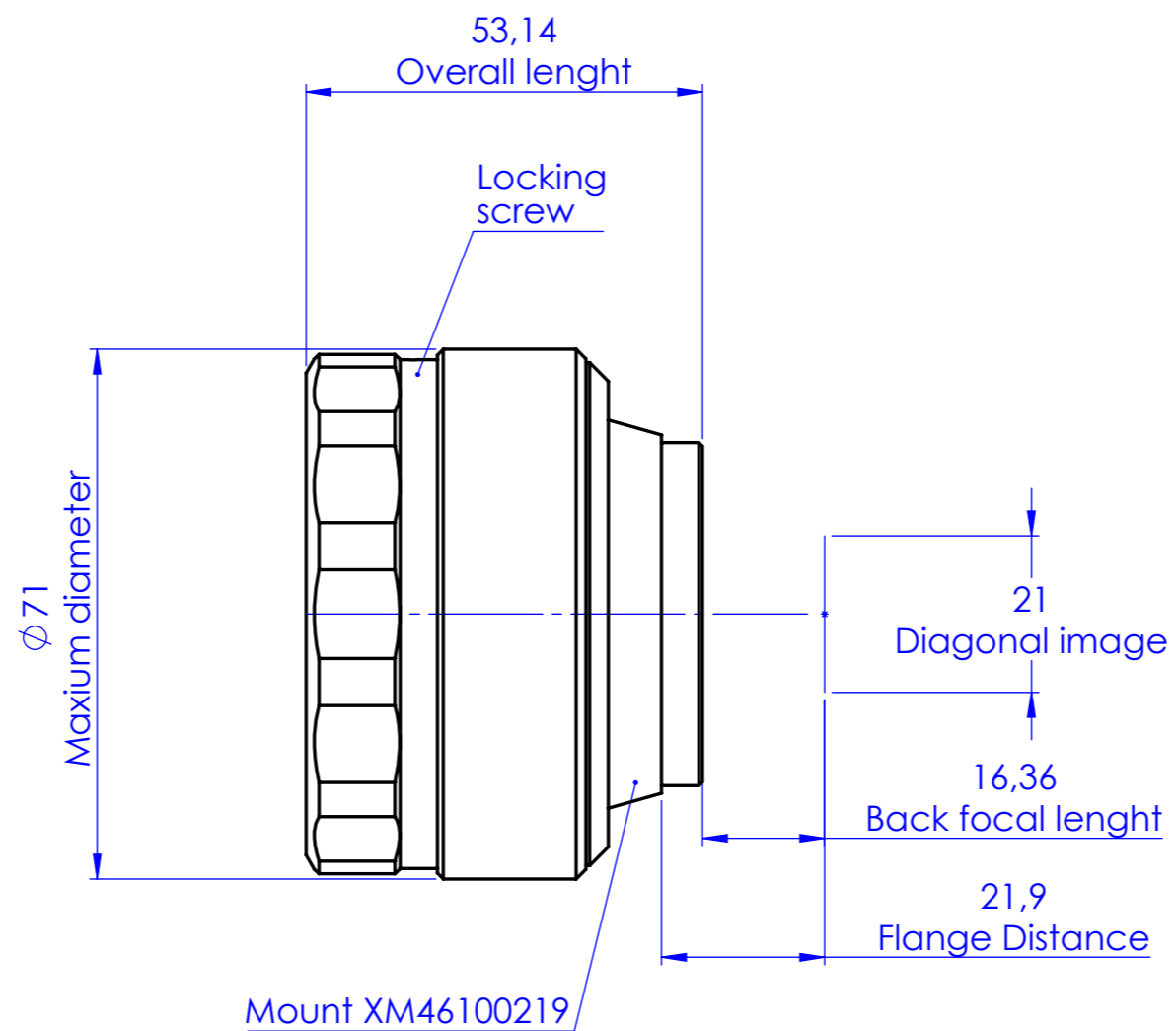
Rev No.	Description	Date	Name

Material		N.A		Mass		300 g		Scale		1:1	
Surface treatment		N.A		Part No.		CO71293					
Geometrical tolerance (ISO 2768-2)								Class		K	
Linear tolerance (ISO 2768-2)								Class		m	
0.5	>3±	>6±	>30±	>120	>400±	>1000	>2000	Undimensioned bevels	0.5x45°		
±3	6	30	120	±400	±1000	±2000	±4000	Undimensioned radii	R 0.5		
±0.1	±0.1	±0.2	±0.3	±0.5	±0.8	±1.2	±2	Description		LW05014	
 OPTO ENGINEERING S.r.l. - Mantova Italy - Tel. +39 0376 699111 - www.opto-engineering.com		Date		Name		Drawing No.		Sheet			
		Designed		17/02/12		A.Vismara		DP71293-A		1/2	
		Drawn		10/03/16		P.Rodella					
Checked								<i>Secret and confidential - All rights reserved - No copy, dissemination or circulation is allowed unless specifically authorized in writing by OPTO ENGINEERING S.r.l. - Any violation shall be legally prosecuted.</i>			

all dimensions are in mm

1 2 3 4 5 6 7 8

Rev No.	Description	Date	Name



D
C
B
A

D
C
B
A

Material	N.A			Mass	360 g	Scale	1:1
Surface treatment	N.A			Part No.	CO71293		
Geometrical tolerance (ISO 2768-2)			Class	K	Description		
Linear tolerance (ISO 2768-2)			Class	m	Undimensioned bevels	0,5x45°	LW05014
0,5 ±3	>3± 6	>6± 30	>30± 120	>120 ±400	>400± 1000	>1000 ±2000	
±0,1	±0,1	±0,2	±0,3	±0,5	±0,8	±1,2	±2
Undimensioned radii			R 0,5		Drawing No.		
			Date	Name	Sheet		
Designed 17/02/12 A.Vismara Drawn 10/03/16 P.Rodella Checked			DP71293-A		2/2		
all dimensions are in mm OPTO ENGINEERING S.r.l. - Mantova Italy - Tel. +39 0376 699111 - www.opto-engineering.com							
Secret and confidential - All rights reserved - No copy, dissemination or circulation is allowed unless specifically authorized in writing by OPTO ENGINEERING S.r.l. - Any violation shall be legally prosecuted.							

1 2 3 4 5 6 7 8

0 1 2 3 4 5 6 7 8 9 10